


1. CABLE:

CONDUCTOR: 28 AWG SOLID SILVER PLATED COPPER.
 INSULATION: SKIN-FOAM-SKIN
 PAIR: 2 WIRES, WH AND YE PARALLEL.
 CORE: 4 PAIRS
 PAIR DRAIN WIRE: Ø0.25 mm TINNED COPPER.
 PAIR SHIELD: ALUMINUM FOIL OVERLAPPED, ALU INSIDE.
 INNER SHIELD: ALUMINUM FOIL OVERLAPPED, APPLIED LONGITUDINALLY.
 OUTER SHIELD: 38 AWG TINNED COPPER BRAID, 85% COVERAGE.
 DIAMETER: 5.6 ± 0.2 mm
 PRINT LEGEND: "LEONI High Speed Cables ParaLink -11 100[®]Ω 4pairs 28AWG (shielded) (UL) E116441 CL2 75°C
 "internal lot number" IEC60332-3-24 "sequential length in metres"
 DIFFERENTIAL IMPEDANCE: 100±5 OHM.

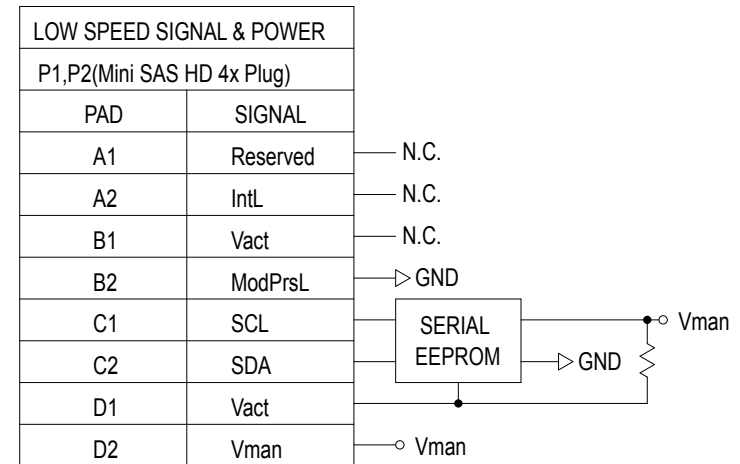
2. CONNECTOR:

P1,P2: Mini SAS HD 4x CABLE PLUG (SFF-8644)
 (1) P.C.B: FR408, 6 LAYERS
 (2) LATCH: STAINLESS STEEL
 (3) BACKSHELL- ZINC DIE CASTING HOOD/ NICKEL PLATING
 (4) PULL TAB: NYLON UL94V-0, COLOR: BLUE.
 (5) EMI CONDUCTIVE GASKET.
 3. FOR SAS 6.0 Gbps.
 4. TWO-WIRED SERIAL MEMORY: ATMEL AT24C02B EEPROM (256 BYTES).

△					Data	2011.04.27	Part No.	CAB-8644-8644-S6-1	 ACE PLUS CORP.
△				Design					
△				Check					
Revision	Data	Content	Confirm	Design	Confirm		Cisco Part No.		DWG.No. CAB-8644-8644-S6-1 Version 1.0

WIRING DIAGRAM

HIGH SPEED SIGNAL			
P1(Mini SAS HD 4x Plug)		P2(Mini SAS HD 4x Plug)	
PIN	SIGNAL	PAD	SIGNAL
A4	RX1+	C4	TX1+
A5	RX1-	C5	TX1-
A7	RX3+	C7	TX3+
A8	RX3-	C8	TX3-
B4	RX0+	D4	TX0+
B5	RX0-	D5	TX0-
B7	RX2+	D7	TX2+
B8	RX2-	D8	TX2-
C4	TX1+	A4	RX1+
C5	TX1-	A5	RX1-
C7	TX3+	A7	RX3+
C8	TX3-	A8	RX3-
D4	TX0+	B4	RX0+
D5	TX0-	B5	RX0-
D7	TX2+	B7	RX2+
D8	TX2-	B8	RX2-
GND GROUP	GND	GND GROUP	GND
GND GROUP 1: P1-A3,A6,A9,B3,B6,B9, P2-C3,C6,C9,D3,D6,D9 GND GROUP 2: P1-C3,C6,C9,D3,D6,D9, P2-A3,A6,A9,B3,B6,B9			
Connector Shell		Connector Shell	



△				Data	2011.04.27	Part No.	CAB-8644-8644-S6-1	 ACE PLUS CORP.	
△				Design					
△				Check		Cisco Part No.			
Revision	Data	Content	Confirm	Design	Confirm	DWG.No.	CAB-8644-8644-S6-1	Version	1.0