


1. CABLE:

CONDUCTOR: 28AWG SOLID SILVER PLATED COPPER.
 INSULATION: FOAM POLYOLEFIN.
 PAIR: 2 SINGLES LAID FLAT AND PARALLEL.
 CORE: 8 PAIRS
 PAIR DRAIN WIRE: 30AWG SOLID SILVER PLATED COPPER.
 PAIR SHIELD: ALUMINUM/POLYESTER TAPE, ALUMINUM SIDE FACING IN, 25% OVERLAP.
 INNER SHIELD: ALUMINUM/POLYESTER TAPE, ALUMINUM SIDE PACING OUT, 25% OVERLAP.
 OUTER SHIELD: 38AWG TIN PLATED COPPER BRAID, 85% COVERAGE.
 DIAMETER: 7.874mm
 PRINT LEGEND: "MADISON CABLE CORP. TYPE CL2 75°C 28AWG (UL) TurboTwin RoHS™ COMPLIANT"
 DIFFERENTIAL IMPEDANCE: 100±5 OHMS @TDR
 UL LISTING: TYPE CL2 AS SPECIFIED IN ARTICLE 725 OF THE NATIONAL ELECTRICAL CODE.

2. CONNECTOR:

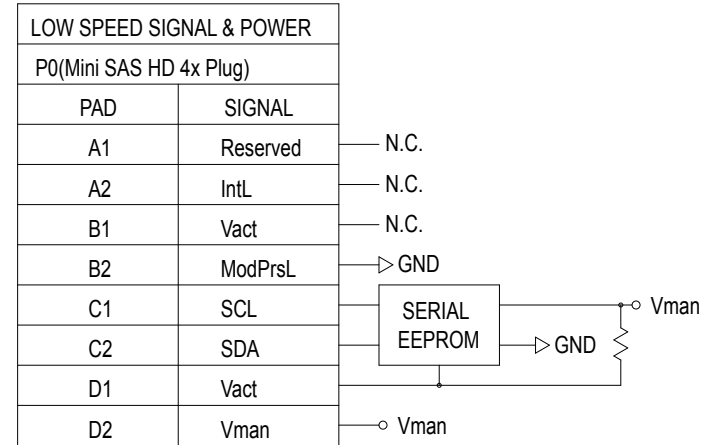
P0: Mini SAS HD 4x CABLE PLUG (SFF-8644)
 (1) P.C.B: FR408, 6 LAYERS
 (2) LATCH: STAINLESS STEEL
 (3) BACKSHELL- ZINC DIE CASTING HOOD/ NICKEL PLATING
 (4) PULL TAB: NYLON UL94V-0, COLOR: BLUE.
 (5) EMI CONDUCTIVE GASKET.
 P1~P4: SATA INTERNAL CABLE RECEPTACLE.
 3. FOR SAS 6.0 Gbps.
 4. TWO-WIRED SERIAL MEMORY: ATMEL AT24C02B EEPROM (256 BYTES).

△					Data	2011.04.27	Part No.	CAB-8644-S4A-S6-1	 ACE PLUS CORP.		
△				Design							
△				Check							
Revision	Data	Content	Confirm	Design	Confirm		Cisco Part No.	DWG.No.	CAB-8644-S4A-S6-1	Version	1.0

WIRING DIAGRAM

HIGH SPEED SIGNAL				
SATA Cable Receptacle(Host)			P0(Mini SAS HD 4x Plug)	
	PIN	SIGNAL	PIN	SIGNAL
P4	6	RX+	D4	TX0+
	5	RX-	D5	TX0-
	3	TX-	B5	RX0-
	2	TX+	B4	RX0+
	1,4,7	GND	GND GROUP	GND
P3	6	RX+	C4	TX1+
	5	RX-	C5	TX1-
	3	TX-	A5	RX1-
	2	TX+	A4	RX1+
	1,4,7	GND	GND GROUP	GND
P2	6	RX+	D7	TX2+
	5	RX-	D8	TX2-
	3	TX-	B8	RX2-
	2	TX+	B7	RX2+
	1,4,7	GND	GND GROUP	GND
P1	6	RX+	C7	TX3+
	5	RX-	C8	TX3-
	3	TX-	A8	RX3-
	2	TX+	A7	RX3+
	1,4,7	GND	GND GROUP	GND

GND GROUP:
A3,A6,A9,B3,B6,B9,
C3,C6,C9,D3,D6,D9.



△				Data	2011.04.27	Part No.	CAB-8644-S4A-S6-1	
△				Design				
△				Check				
Revision	Data	Content	Confirm	Design	Confirm	Cisco Part No.	DWG.No.	Version
							CAB-8644-S4A-S6-1	1.0