

No.	Length (mm)	Tolerance (mm)	AWG	OD(mm)	Cable	Application	EQ	Item No.
1	500	± 25	28	7.9	M	S/E	x	CAB-QP-8470P-28G-0.5
2	1000	± 30	28	7.9	M	S/E	x	CAB-QP-8470P-28G-1
3	2000	± 50	28	7.9	M	S/E	x	CAB-QP-8470P-28G-2
4	3000	± 50	28	7.9	M	S/E	x	CAB-QP-8470P-28G-3
5	5000	± 70	26	8.8	M	S	x	CAB-QP-8470PS-26G-5
6	7000	± 70	24	9.8	A	S	x	CAB-QP-8470PS-24G-7
7	10000	± 70	24	9.8	A	S	v	CAB-QP-8470PS-24G-10


1. CABLE:

CONDUCTOR:28AWG SOLID SILVER PLATED COPPER.
 INSULATION:FOAM POLYOLEFIN.
 PAIR: 2 SINGLES LAID FLAT AND PARALLEL.
 CORE: 8 PAIRS
 PAIR DRAIN WIRE: 30AWG SOLID SILVER PLATED COPPER.
 PAIR SHIELD: ALUMINUM/POLYESTER TAPE. ALUMINUM SIDE FACING IN, 25% OVERLAP.
 INNER SHIELD: ALUMINUM/POLYESTER TAPE, ALUMINUM SIDE PACING OUT, 25% OVERLAP.
 OUTER SHIELD: 38AWG TIN PLATED COPPER BRAID, 85% COVERAGE.
 DIAMETER: 7.874mm
 PRINT LEGEND: "MADISON CABLE CORP.TYPE CL2 75°C 28AWG (UL) TurboTwin™ RoHS COMPLIANT"
 DIFFERENTIAL IMPEDANCE: 100±5 OHMS @TDR
 UL LISTING: TYPE CL2 AS SPECIFIED IN ARTICLE 725 OF THE NATIONAL ELECTRICAL CODE.

2. CONNECTOR:

P1: INFINIBAND 4X PLUG(SFF-8470)
 (1) HOUSING-ZINC DIE CAST.
 (2) CONTACTS-30u" INCHES GOLD PLATING.
 P2: 4x-Pluggable-QSFP(SFF-8436)
 (1) P.C.B: 4 LAYERS, GOLD PLATING ON CONTACT PADS.
 (SPCB-040078A, AC Coupling)
 (2) LATCH: STAINLESS STEEL WITH PULL TAB.
 (3) BACKSHELL: ZINC DIE CASTING HOOD/ NICKEL PLATING.

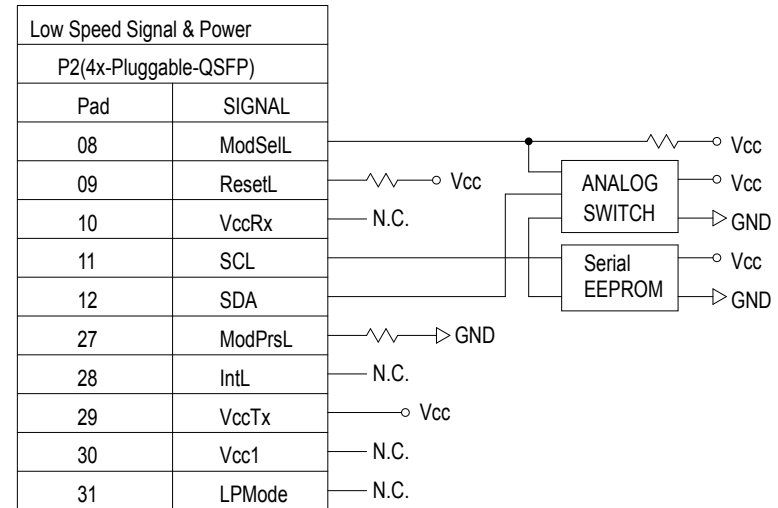


△					Data	2013.03.22	Part No.	CAB-QP-8470P-28G-1	 ACE PLUS CORP.	
△				Design		Customer P/N				
△				Check						
Revision	Data	Content	Confirm	Design	Confirm		DWG.No.	CAB-QP-8470P-28G-1	Version	1.0

WIRING DIAGRAM

HIGH SPEED SIGNAL			
P1(Mini SAS 4x Plug)		P2(4x-Pluggable-QSFP)	
PIN	SIGNAL	PAD	SIGNAL
A6	RX1-	02	TX2n
A5	RX1+	03	TX2p
A12	RX3-	05	TX4n
A11	RX3+	06	TX4p
B8	TX2+	14	RX3p
B9	TX2-	15	RX3n
B2	TX0+	17	RX1p
B3	TX0-	18	RX1n
B6	TX1-	21	RX2n
B5	TX1+	22	RX2p
B12	TX3-	24	RX4n
B11	TX3+	25	RX4p
A8	RX2+	33	TX3p
A9	RX2-	34	TX3n
A2	RX0+	36	TX1p
A3	RX0-	37	TX1n
GND GROUP	GND	GND GROUP	GND
GND GROUP: A1,A4,A7,A10,A13, B1,B4,B7,B10,B13.		GND GROUP: 01,04,07,13,16,19, 20,23,26,32,35,38.	
Connector Shell		Connector Shell	

*DC Blocking Caps on P2 Rx End.



△				Data	2013.03.22	Part No.	CAB-QP-8470P-28G-1			
△				Design						
△				Check						
Revision	Data	Content	Confirm	Design	Confirm	Customer P/N	DWG.No.	CAB-QP-8470P-28G-1	Version	1.0