

1. Cable:


CONDUCTOR: 30 AWG SOLID SILVER PLATED COPPER.
 INSULATION: SKIN-FOAM-SKIN
 PAIR: 2 WIRES, WH AND YE PARALLEL.
 CORE: 8 PAIRS
 PAIR DRAIN WIRE: Ø0.2mm (32AWG) TINNED COPPER.
 PAIR SHIELD: ALUMINUM FOIL OVERLAPPED, ALU INSIDE.
 INNER SHIELD: ALUMINUM FOIL OVERLAPPED, APPLIED LONGITUDINALLY.
 OUTER SHIELD: 0.1mm DIA TINNED COPPER BRAID, 85% COVERAGE.
 DIAMETER: 6.1 ± 0.2 mm
 PRINT LEGEND: "LEONI High Speed Cable ParaLink®-14 100Ω 8pairs
 30AWG (SHIELDED)(UL) E116441 CL2 75°C"
 DIFFERENTIAL IMPEDANCE: 100±5 OHM.

2. Connector:

P1,P2: 4x-Pluggable-QSFP(SFF-8436)
 (1) P.C.B: 4 LAYERS, GOLD PLATING ON CONTACT PADS.(SPCB-040112A, AC Coupling)
 (2) Latch: Stainless Steel with Pull Tab.
 (3) Backshell: Zinc Die Casting Hood/ Nickel Plating.

3. For FDR 14G USE.

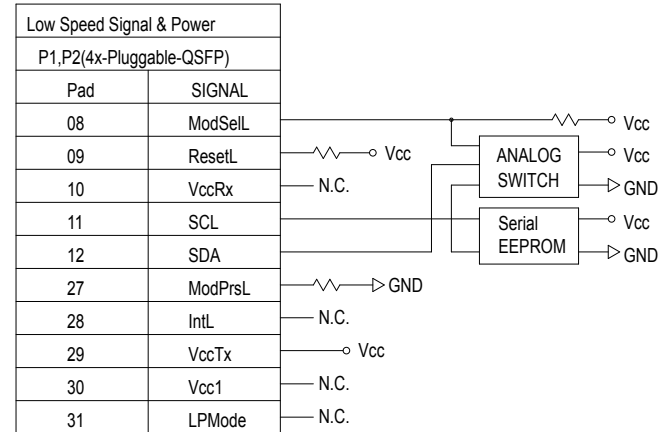
4. Two-Wire Serial Memory: Atmel AT24C02B EEPROM(256 Bytes), Digital monitoring & control function and memory page not supported.

△					Data	2012.05.23	Part No.	CAB-QSFP-FL30G-1	 ACE PLUS CORP.
△					Design				
△					Check				
Revision	Data	Content	Confirm	Design	Confirm		Customer P/N		DWG.No. CAB-QSFP-FL30G-1 Version 1.0

WIRING DIAGRAM

HIGH SPEED SIGNAL				
P1(4x-Pluggable-QSFP)			P2(4x-Pluggable-QSFP)	
PAD	SIGNAL		PAD	SIGNAL
02	TX2n	— —	21	RX2n
03	TX2p	— —	22	RX2p
05	TX4n	— —	24	RX4n
06	TX4p	— —	25	RX4p
14	RX3p	— —	33	TX3p
15	RX3n	— —	34	TX3n
17	RX1p	— —	36	TX1p
18	RX1n	— —	37	TX1n
21	RX2n	— —	02	TX2n
22	RX2p	— —	03	TX2p
24	RX4n	— —	05	TX4n
25	RX4p	— —	06	TX4p
33	TX3p	— —	14	RX3p
34	TX3n	— —	15	RX3n
36	TX1p	— —	17	RX1p
37	TX1n	— —	18	RX1n
GND GROUP	GND		GND GROUP	GND
GND GROUP 01,04,07,13,16,19 20,23,26,32,35,38			GND GROUP 01,04,07,13,16,19 20,23,26,32,35,38	
Connector Shell			Connector Shell	

*DC BLOCKING CAPS ON P1,P2 RX END.



△					Data	2012.05.23			Part No. CAB-QSFP-FL30G-1			
△					Design							
△					Check							
Revision	Data	Content	Confirm	Design	Confirm				Customer P/N	DWG.No. CAB-QSFP-FL30G-1	Version	1.0